



# Installation Guide

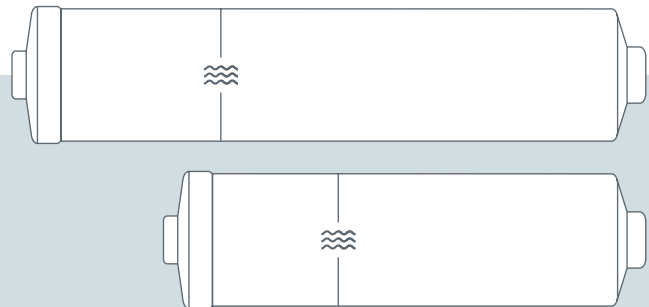
For Under Sink Inline Filters

CONNECTION TYPE : **DIRECT CONNECT**

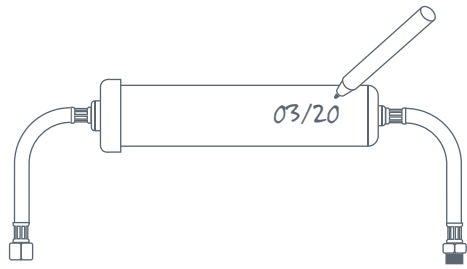
## **MODELS**

WD-4K / WD-10K

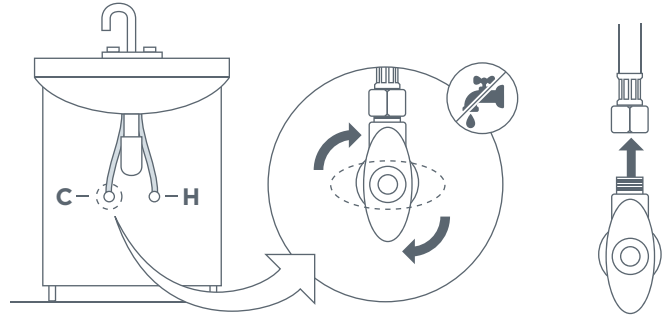
For installation questions or customer support,  
please contact us at [www.woder.com/support](http://www.woder.com/support).



1

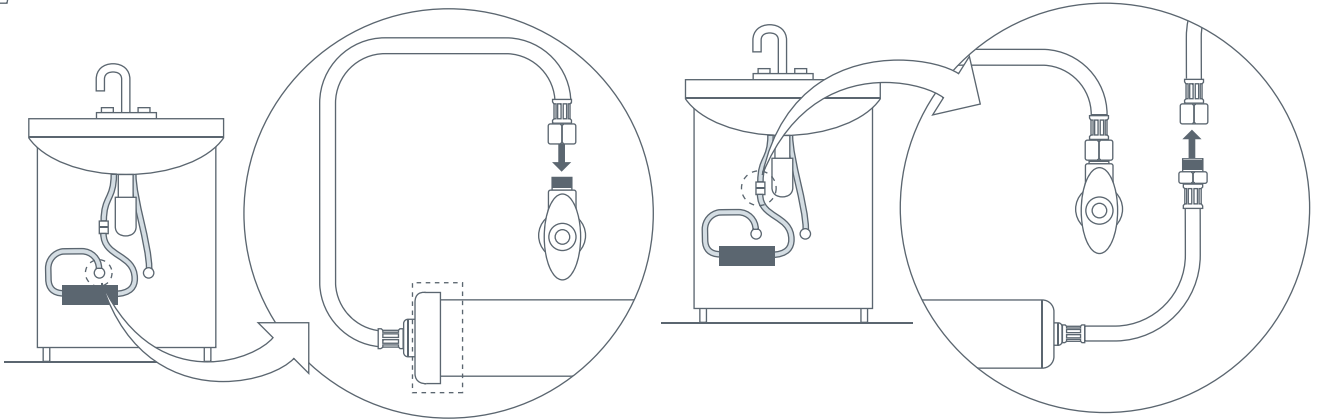


Write the installation date on the filter for future references.



Turn off the water supply valve and then disconnect the 3/8" female compression end of the supply line attached to the faucet.

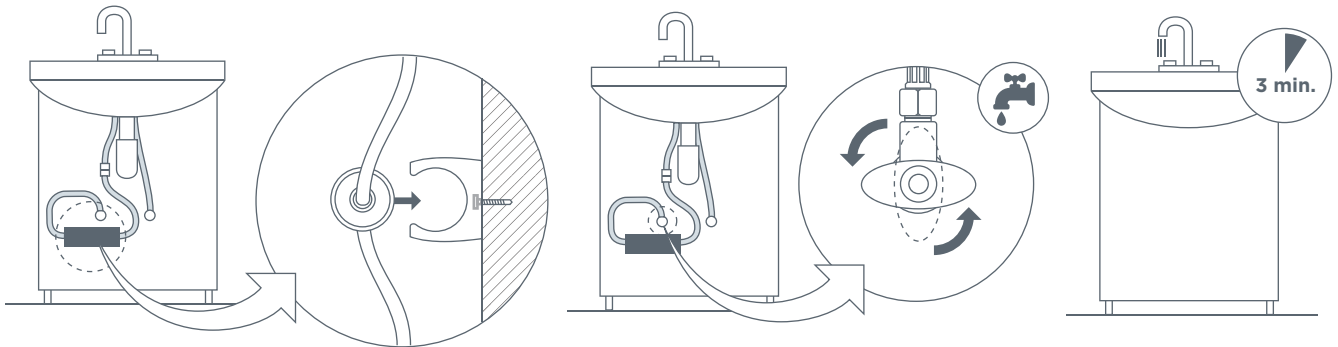
2



Connect the 3/8" female compression end of the inlet hose to the water supply valve. Inlet is on the cap side.

Connect the 3/8" male compression end of the outlet hose to the end of the supply line attached to the faucet.

3



Secure Mounting bracket in a convenient location.

Turn on the cold-water supply.

Activate the filter by allowing the water to flow for 3 minutes.