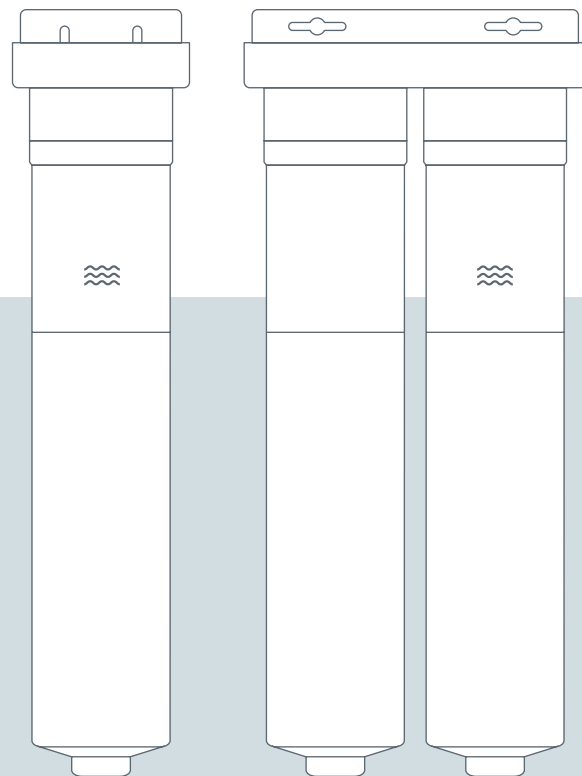




# Installation Guide

For *SINGLE-STAGE* & *DUAL-STAGE* Filter Systems

CONNECTION TYPE : **DIRECT CONNECT**



## **MODELS**

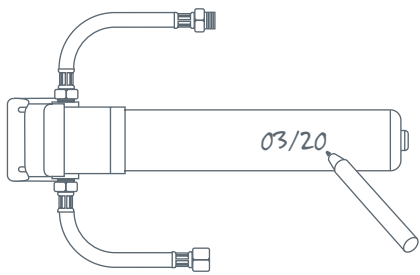
WD-S-5K / WD-S-8K / ADV-REP

WD-HM-REP / WD-20M-REP

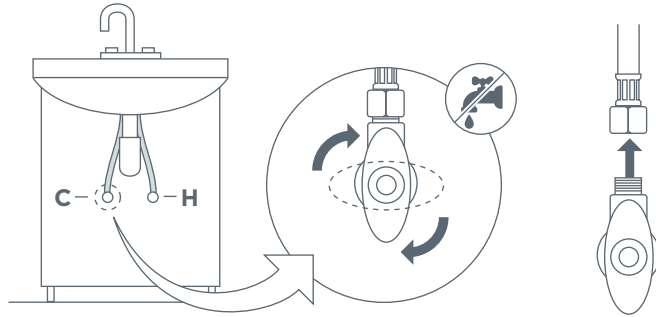
WD-FRM-5K-REP / WD-FRM-8K-REP

For installation questions or customer support,  
please contact us at [www.woder.com/support](http://www.woder.com/support).

1

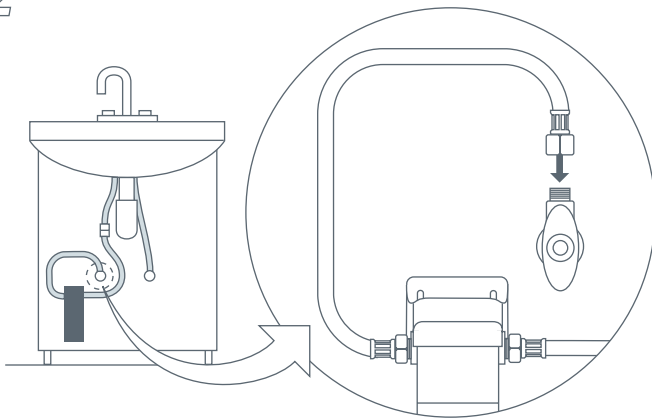


Write the installation date on the filter for future references.

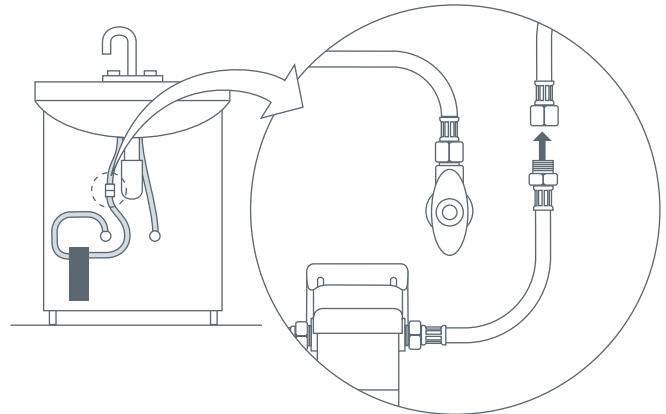


Turn off the water supply valve and then disconnect the 3/8" female compression end of the supply line attached to the faucet.

2

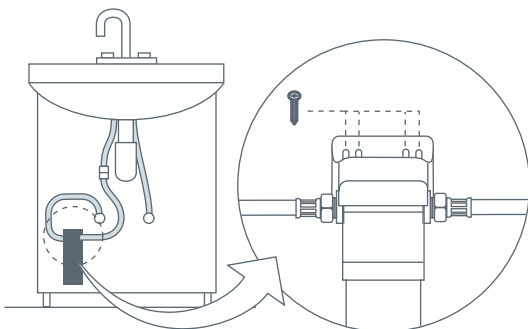


Connect the 3/8" female compression end of the inlet hose to the water supply valve.  
Inlet is on the left side of the mounting head

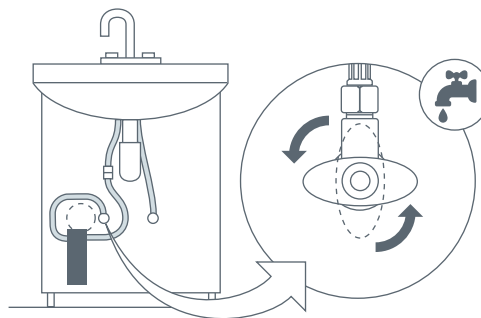


Connect the 3/8" male compression end of the outlet hose to the end of the supply line attached to the faucet.

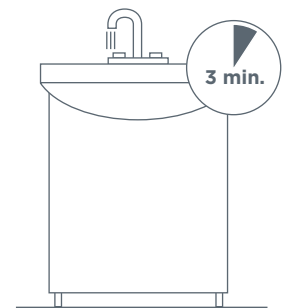
3



Secure head in a convenient location.



Turn on the cold-water supply.



Activate the filter by allowing the water to flow for 3 minutes.