



Installation Guide

ADV-H Horizontal Under Sink Water Filters WD-4K
and WD-10K WQA Gold Seal Certified

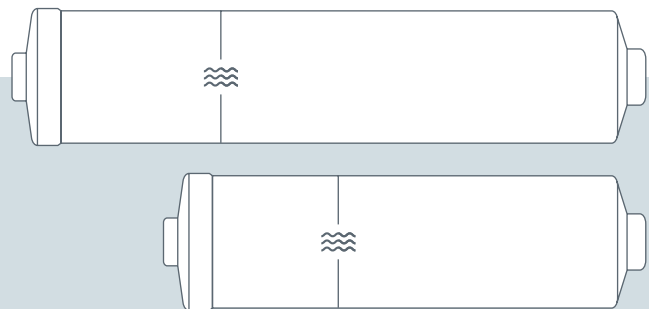
CONNECTION TYPE : *Under Sink Direct Connect*

Comes with 'Direct Connect' hoses that fit standard 3/8" water valves under US kitchen and bathroom sinks. The 3/8" Direct Connect Hose are made to install directly to the existing cold water valve and faucet stem under your sink. (in accordance with the US Building Code).

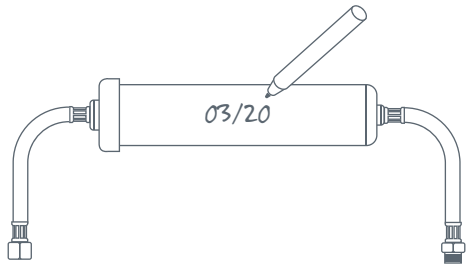
MODELS

WD-4K / WD-10K

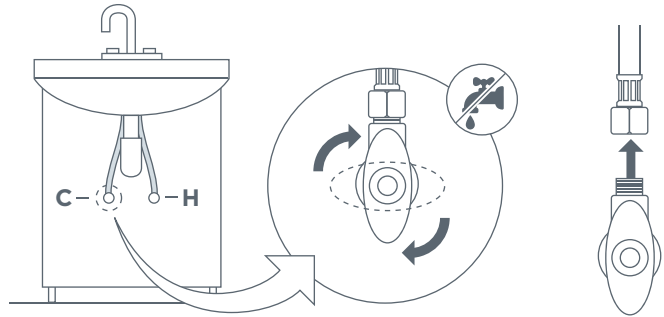
For installation questions or customer support,
please contact us at www.woder.com/support.



1

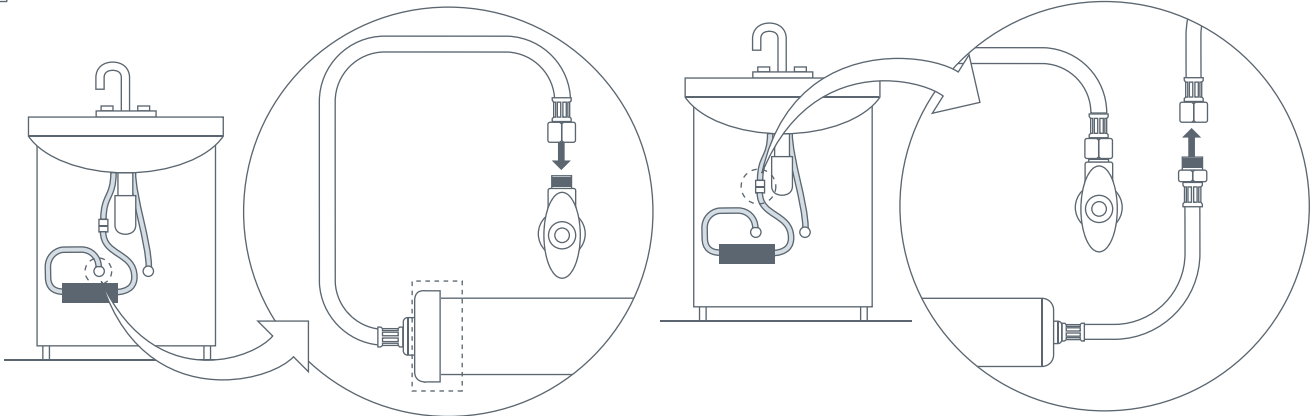


Write the installation date on the filter for future references.



Turn off the water supply valve and then disconnect the 3/8" female compression end of the supply line attached to the faucet.

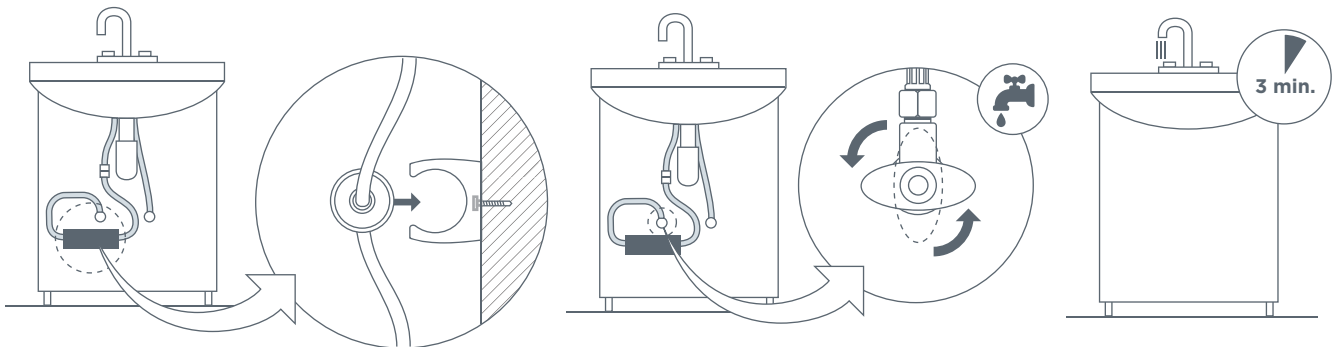
2



Connect the 3/8" female compression end of the inlet hose to the water supply valve. Inlet is on the cap side.

Connect the 3/8" male compression end of the outlet hose to the end of the supply line attached to the faucet.

3



Secure Mounting bracket in a convenient location.

Turn on the cold-water supply.

Activate the filter by allowing the water to flow for 3 minutes.