



Installation Guide

ADV-H Horizontal Inline Water Filters WD-4K
and WD-10K WQA Gold Seal Certified

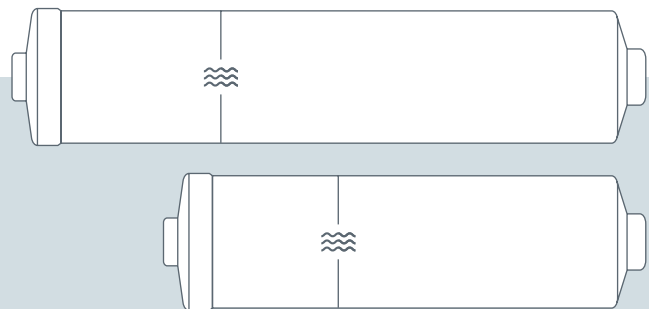
CONNECTION TYPE : *John Guest 1/4" Quick Connect*

Fits All 1/4" Plastic Flex Tubing and Flexible Copper Tubing used for water supply to ice makers and refrigerators, etc.
1/4" JG also fits the 1/8" PEX TUBING as its O.D. is the same as 1/4" Tube. DOES NOT FIT BRAIDED HOSES.

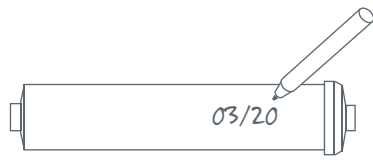
MODELS

WD-4K / WD-10K

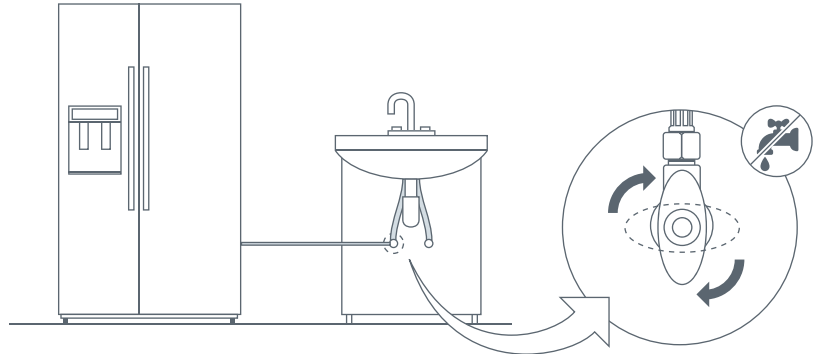
For installation questions or customer support,
please contact us at www.woder.com/support.



1

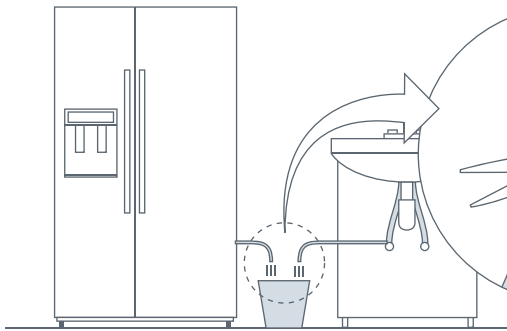


Write the installation date on the filter for future references.

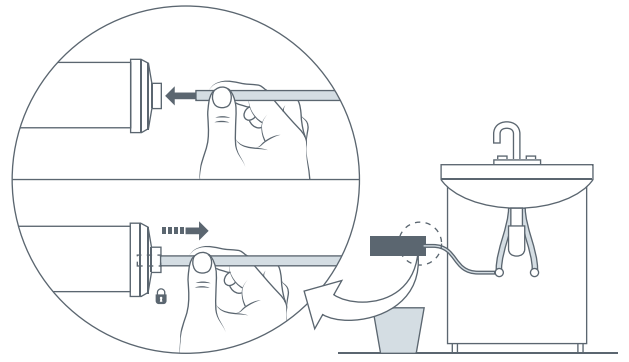


Turn off the water supply valve.
Water supply valve is usually under the sink, but not always

2

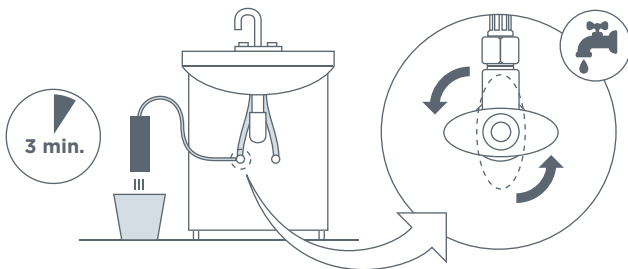


Place a bucket underneath the water supply line and cut the Plastic / Copper water supply line.

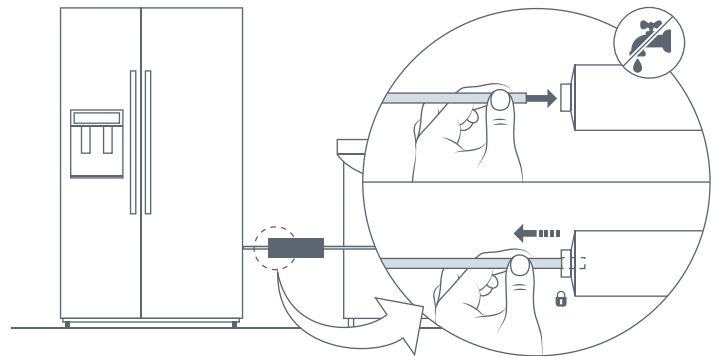


Push the tubing from the water supply line firmly into the inlet side of the filter and then pull back to tighten. Inlet side is on the cap side

3

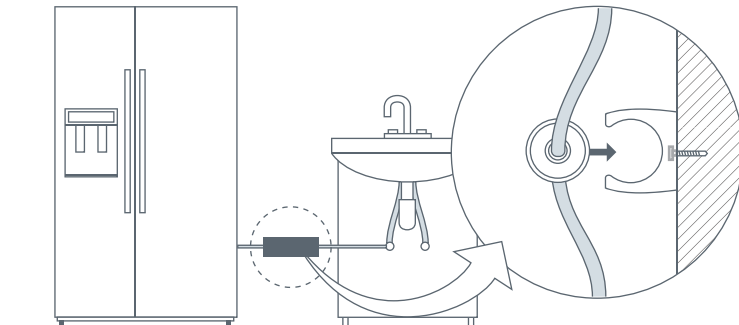


Activate the filter by gradually turning on the water supply and pointing the outlet of the filter towards the bucket. Allow the water to flow for 3 minutes.

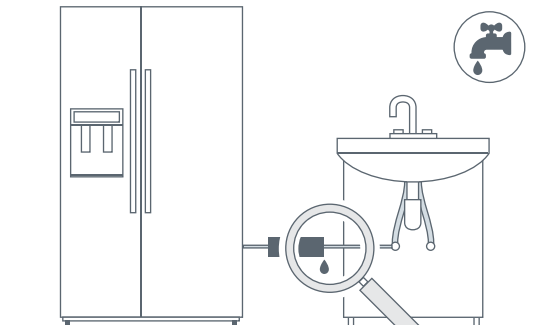


Turn off water supply again and push the outlet water line firmly into the outlet portion of the filter and then pull back to tighten.

4



Secure Mounting bracket in a convenient location.



Turn on the water supply and check for leaks.