



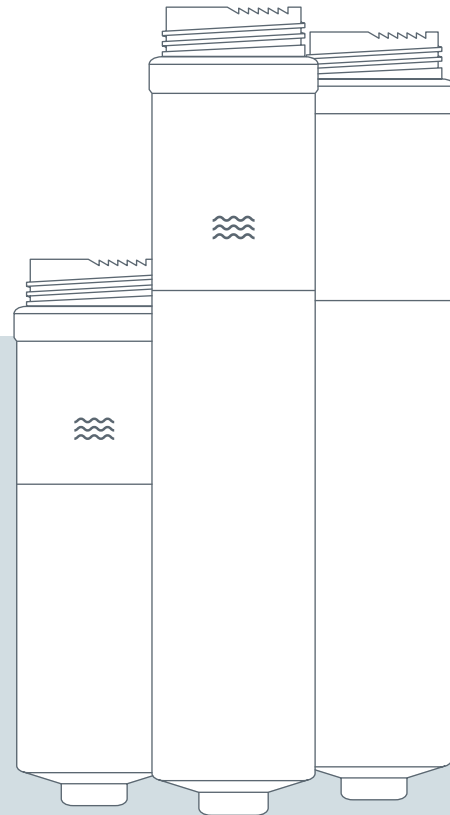
Cartridge Replacement Guide

For *SINGLE-STAGE* & *DUAL-STAGE* Replacement Cartridges

MODELS

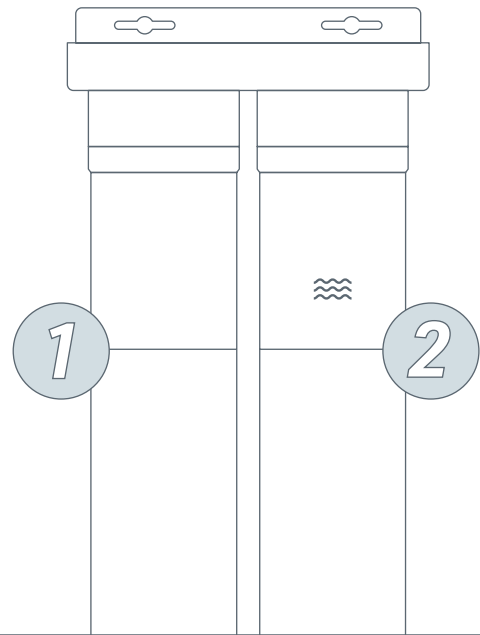
WD-S-5K-REP / WD-S-8K-REP (ADV-V)
WD-FRM-5K-REP / WD-FRM-8K-REP (Fluoride)
WD-S-HMADV-REP (Combo) / WD-HM-REP
WD-20M-REP (Sediment)

For installation questions or customer support,
please contact us at www.woder.com/support.

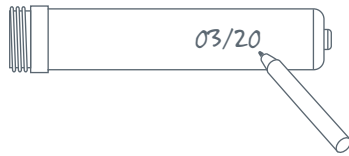


Staging Sequence

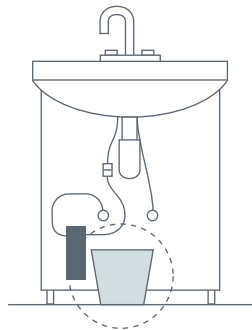
When utilizing a dual-stage system the Advanced filter should always be the second (final) stage of the system cycle. This staging sequence ensures optimum turbidity, taste, and efficiency.



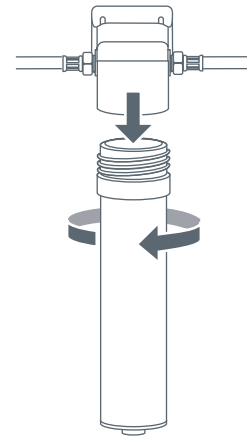
1



Write the installation date on the filter for future references.

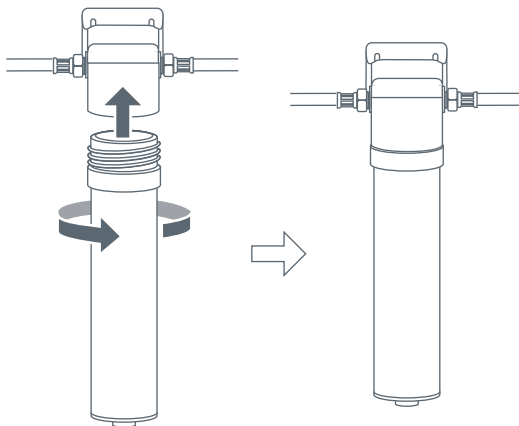


Place a bucket under the Woder filter, just in case.

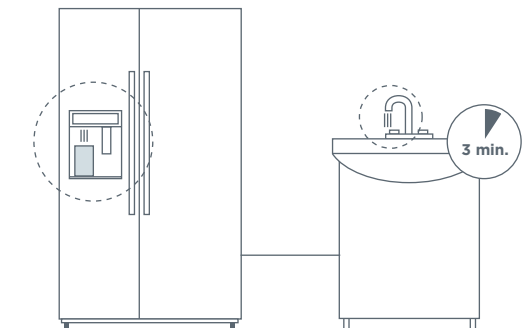


Unscrew the used Woder Filter cartridge. The water shuts off automatically. (There are built-in valves in the system).

2



Screw in the new Woder Filter cartridge. The water cuts back on when you screw the new filter on.



Activate the filter by allowing the water to flow for 3 minutes.