



# Installation Guide

For *SINGLE-STAGE* & *DUAL-STAGE* Replacement Cartridges

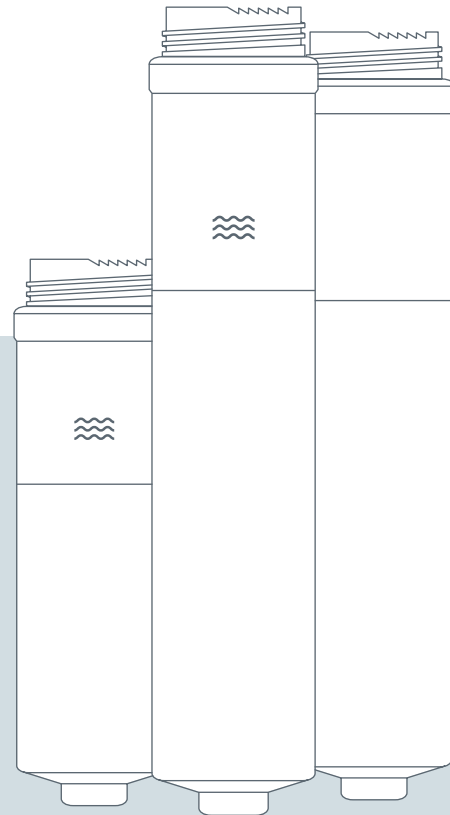
## **MODELS**

WD-G4-REP (WD GEN4 2515TC)

WD-HMG4-REP / WD-FRM-REP

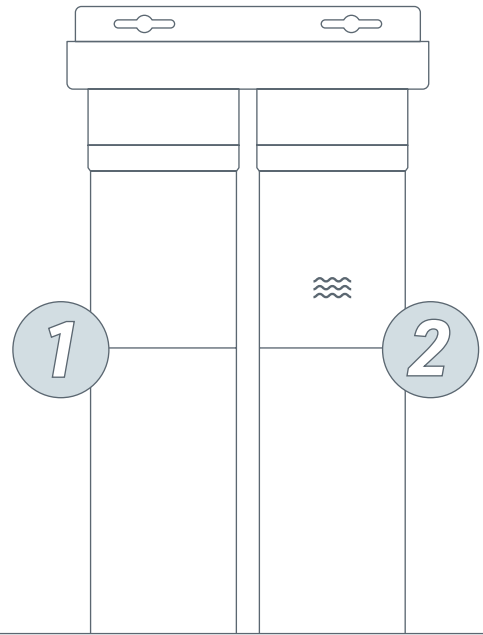
WD-20m-REP

For installation questions or customer support,  
please contact us at [www.woder.com/support](http://www.woder.com/support).

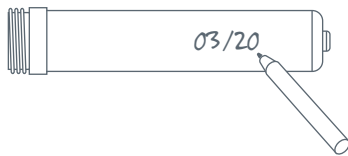


# Staging Sequence

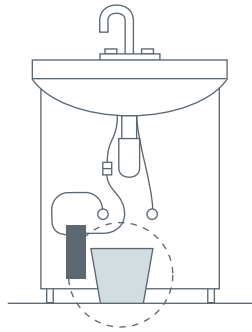
When utilizing a dual-stage system the Advanced filter should always be the second (final) stage of the system cycle. This staging sequence ensures optimum turbidity, taste, and efficiency.



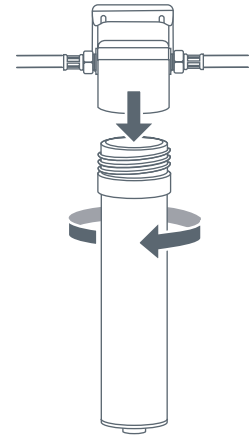
1



Take off the red or yellow sealant and  
Write the installation date on  
the filter for future references.

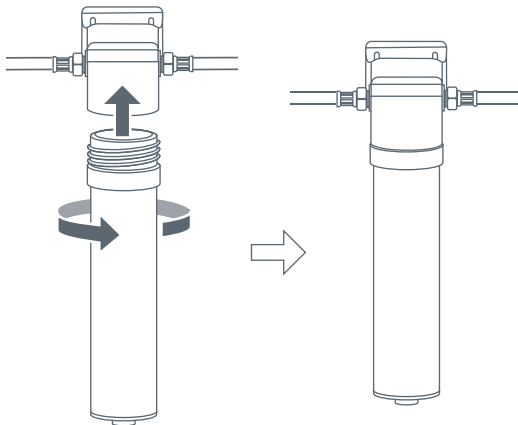


Place a bucket under the  
Woder filter, just in case.

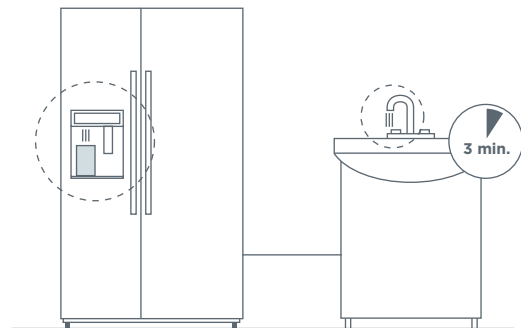


Unscrew the used Woder Filter cartridge. The water  
shuts off automatically. (There are built-in valves in  
the system).

2



Screw in the new Woder Filter cartridge. The water cuts  
back on when you screw the new filter on.



Activate the filter by allowing the  
water to flow for 3 minutes.