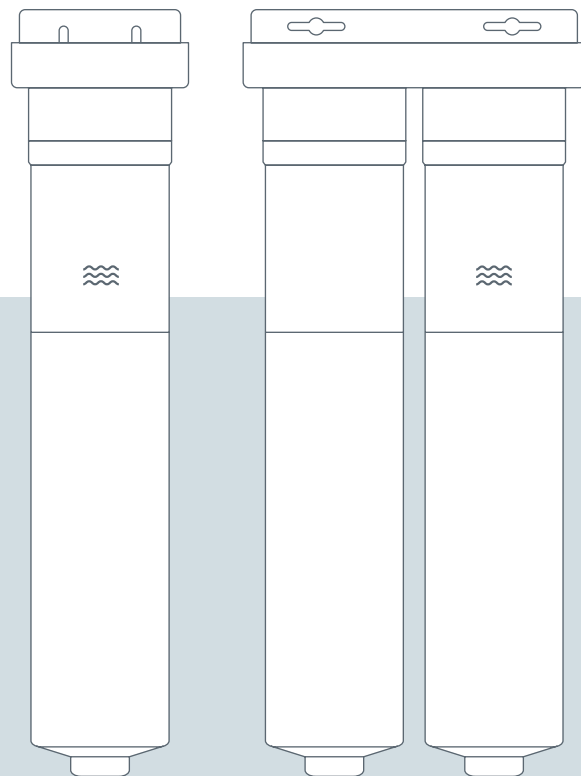




Installation Guide

For *SINGLE-STAGE* & *DUAL-STAGE* Filter Systems

CONNECTION TYPE: **DIRECT CONNECT**



MODELS

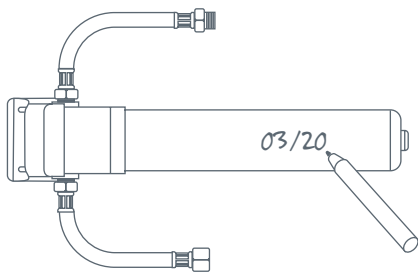
WD-G4-DC / WD-HMG4-DC

WD-20m-DC / WD-D-20m-G4-DC

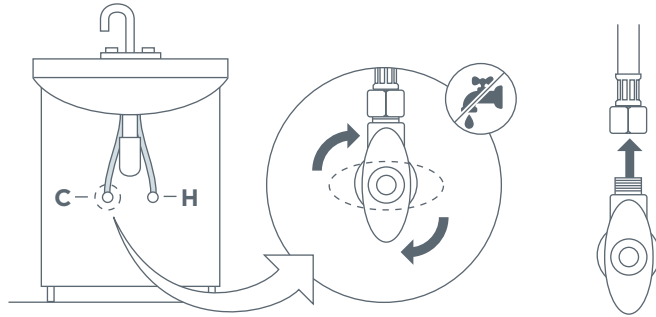
WD-D-FRM-G4-DC / WD-D-HM-G4-DC

For installation questions or customer support,
please contact us at www.woder.com/support.

1

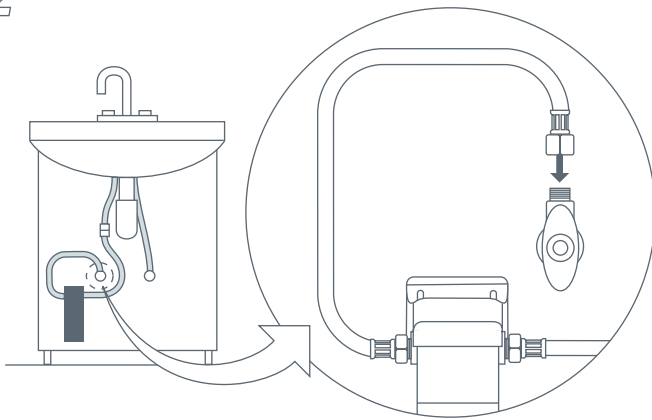


Write the installation date on the filter for future references.

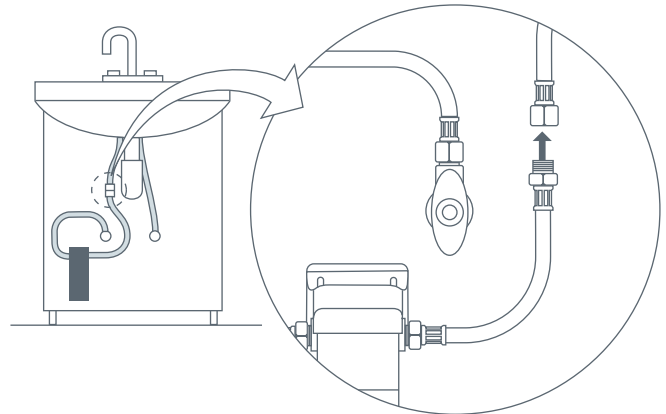


Turn off the water supply valve and then disconnect the 3/8" female compression end of the supply line attached to the faucet.

2

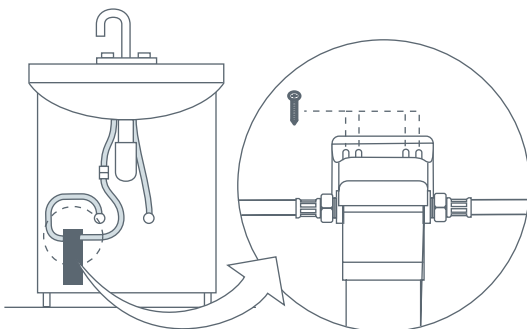


Connect the 3/8" female compression end of the inlet hose to the water supply valve.
Inlet is on the left side of the mounting head

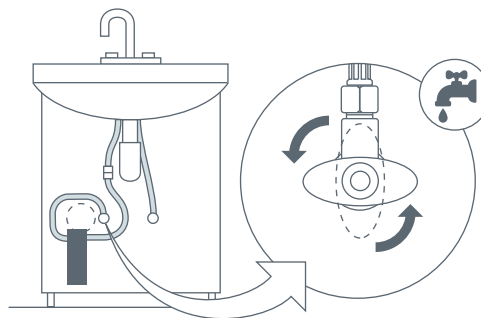


Connect the 3/8" male compression end of the outlet hose to the end of the supply line at the faucet.

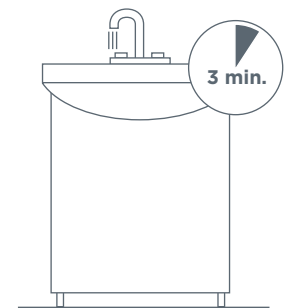
3



Secure head in a convenient location.



Turn on the cold-water supply.



Activate the filter by allowing the water to flow for 3 minutes.