



Installation Guide

CONNECTION TYPE : **John Guest 1/4" Quick Connect**

Fits All 1/4" Plastic Flex Tubing and Flexible Copper Tubing used for water supply to ice makers and refrigerators, etc. 1/4" JG also fits the 1/8" PEX TUBING as its O.D. is the same as 1/4" Tube. DOES NOT FIT BRAIDED HOSES.



This is important!

Systems are certified by WQA to NSF/ ANSI 42 for Chlorine taste, odor and NSF/ANSI 372 for lead free compliance as verified and substantiated by test data.

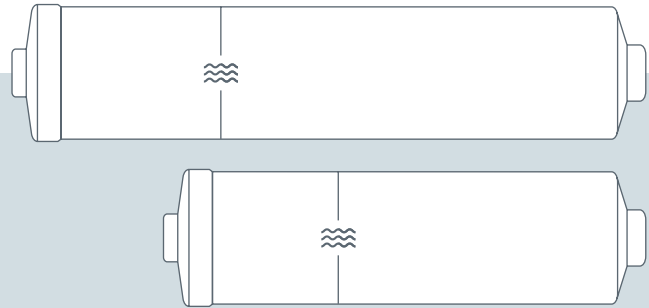
Maximum Working Pressure - **60 psi**
Ingredients: **Formula Clearbrook GEN4**
Maximum Operating Temperature - **100°F**

This water filter unit is to be used in conjunction with municipally treated water. **Do not use** water that is microbiologically unsafe or unknown quality without adequate disinfection before or after the system.

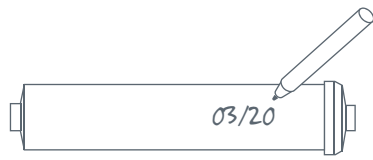
MODELS

WD-GEN4-210 / WD-GEN4-2512

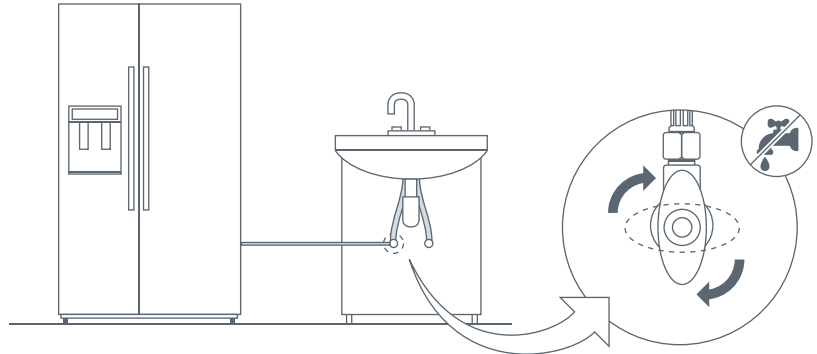
For installation questions or customer support, please contact us at www.woder.com/support.



1

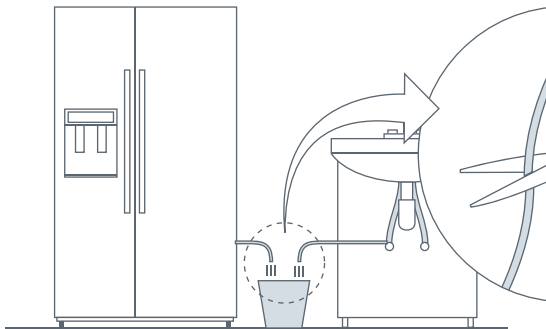


Write the installation date on the filter for future references.

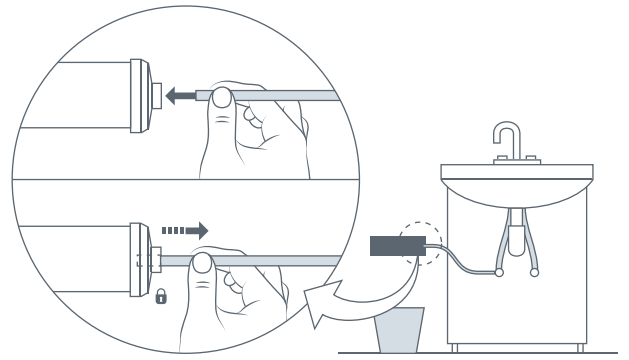


Turn off the water supply valve.
Water supply valve is usually under the sink, but not always

2

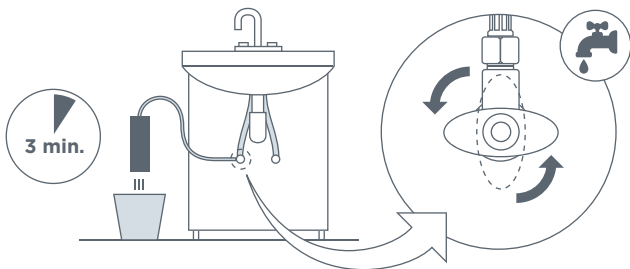


Place a bucket underneath the water supply line and cut the Plastic / Copper water supply line.

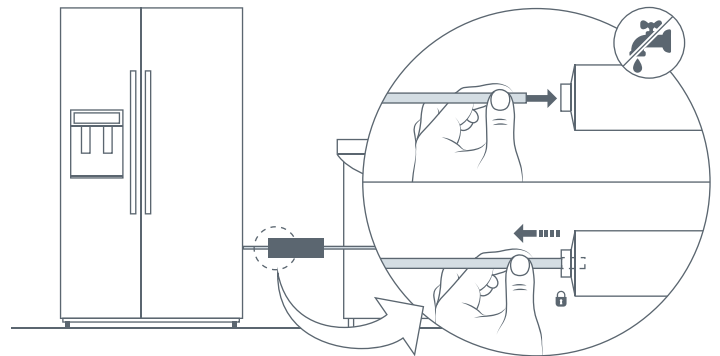


Push the tubing from the water supply line firmly into the inlet side of the filter and then pull back to tighten. Inlet side is on the cap side

3

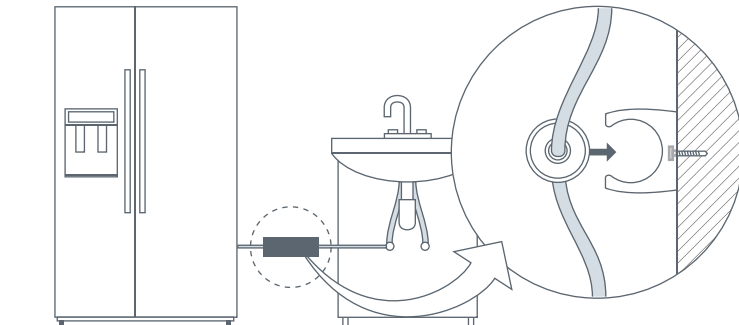


Activate the filter by gradually turning on the water supply and pointing the outlet of the filter towards the bucket. Allow the water to flow for 3 minutes.

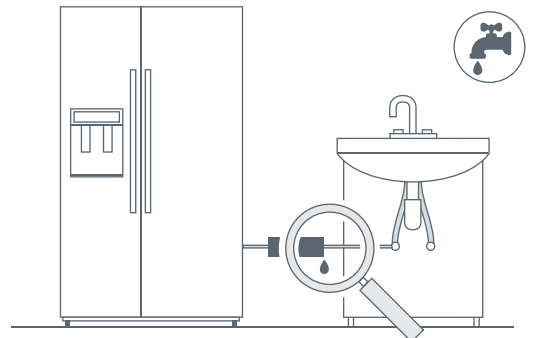


Turn off water supply again and push the outlet water line firmly into the outlet portion of the filter and then pull back to tighten.

4



Secure Mounting bracket in a convenient location.



Turn on the water supply and check for leaks.