



# Installation Guide

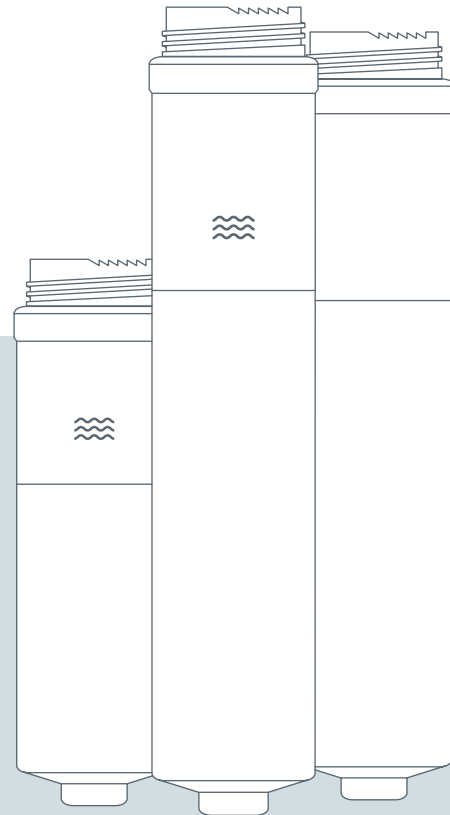
For *SINGLE-STAGE* & *DUAL-STAGE* Replacement Cartridges

Maximum Working Pressure - **60 psi**

Ingredients: **Formula Clearbrook GEN4**

Maximum Operating Temperature - **100°F**

This water filter unit is to be used in conjunction with municipally treated water. **Do not use** water that is microbiologically unsafe or unknown quality without adequate disinfection before or after the system.



## MODELS

WD-G4-REP (WD GEN4 2515TC)

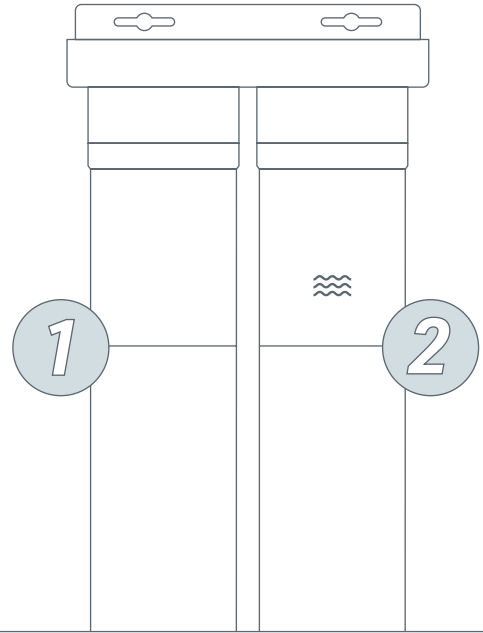
WD-HMG4-REP / WD-FRM-REP

WD-20m-REP

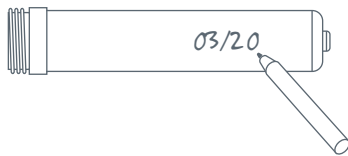
For installation questions or customer support, please contact us at [www.woder.com/support](http://www.woder.com/support).

# Staging Sequence

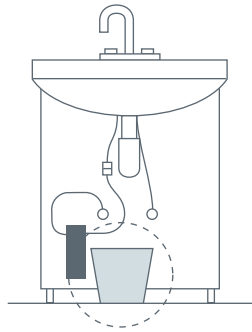
When utilizing a dual-stage system the Advanced filter should always be the second (final) stage of the system cycle. This staging sequence ensures optimum turbidity, taste, and efficiency.



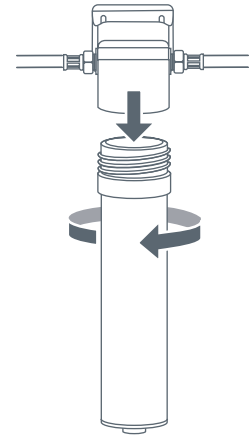
1



Take off the red or yellow sealant and write the installation date on the filter for future references.

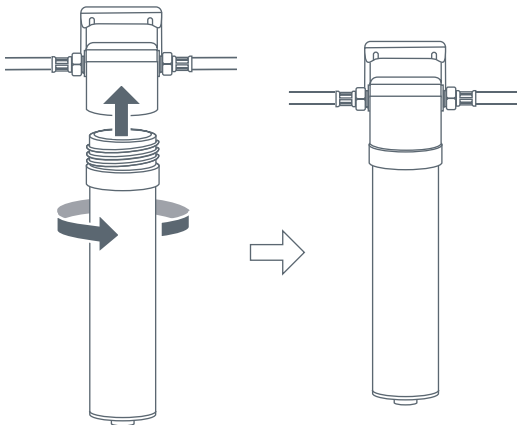


Place a bucket under the Woder filter, just in case.

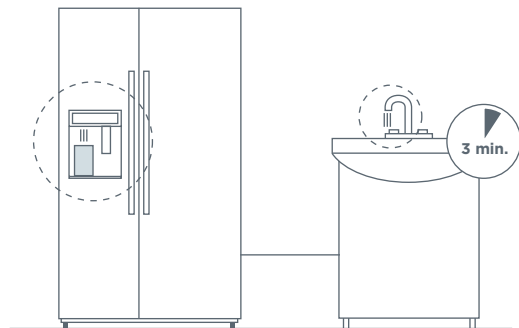


Unscrew the used Woder Filter cartridge. The water shuts off automatically. (There are built-in valves in the system).

2



Screw in the new Woder Filter cartridge. The water cuts back on when you screw the new filter on.



Activate the filter by allowing the water to flow for 3 minutes.