



# Installation Guide

For *SINGLE-STAGE* & *DUAL-STAGE* Filter Systems

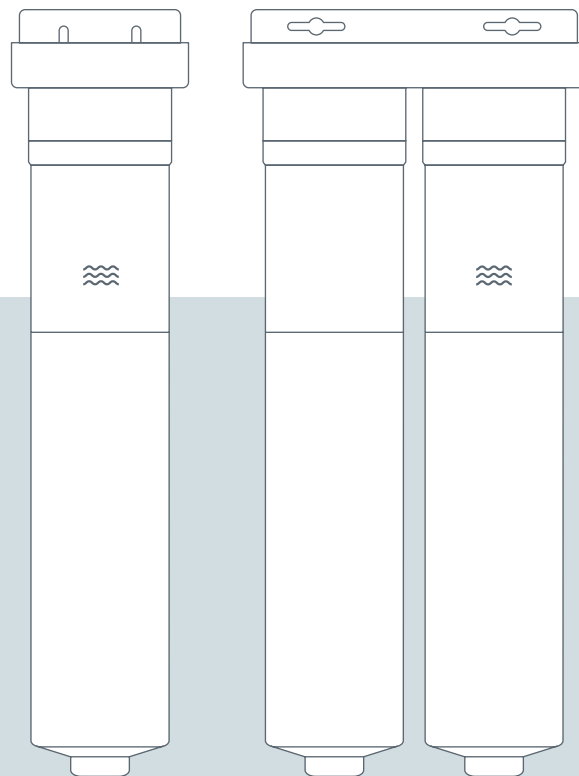
CONNECTION TYPE : **DIRECT CONNECT**

Maximum Working Pressure - **60 psi**

Ingredients: **Formula Clearbrook GEN4**

Maximum Operating Temperature - **100°F**

This water filter unit is to be used in conjunction with municipally treated water. **Do not use** water that is microbiologically unsafe or unknown quality without adequate disinfection before or after the system.



## **MODELS**

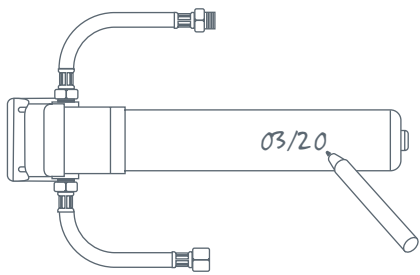
WD-G4-DC / WD-HMG4-DC

WD-20m-DC / WD-D-20m-G4-DC

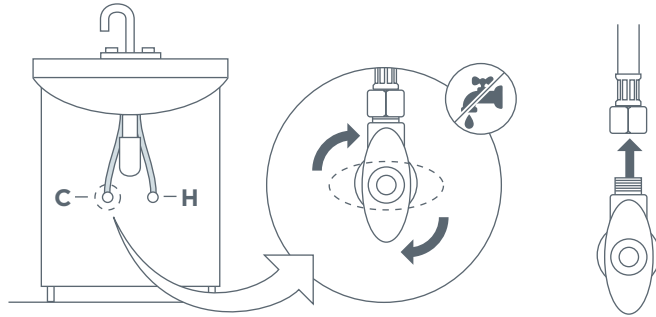
WD-D-FRM-G4-DC / WD-D-HM-G4-DC

For installation questions or customer support,  
please contact us at [www.woder.com/support](http://www.woder.com/support).

1

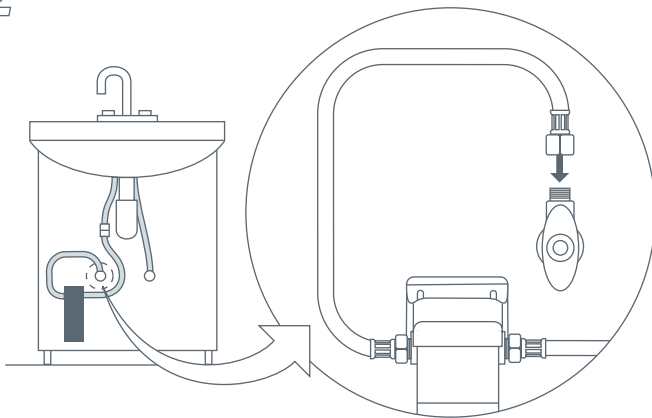


Write the installation date on the filter for future references.

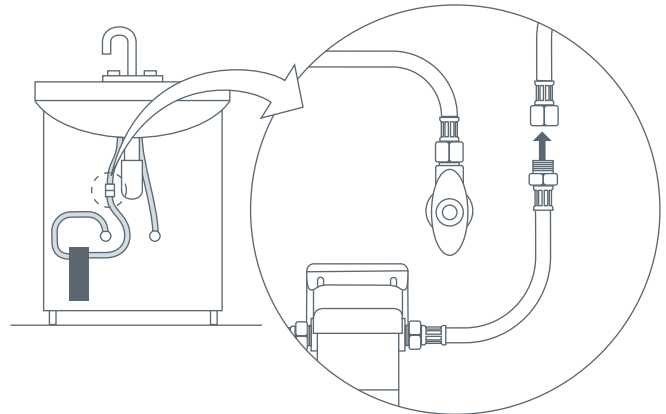


Turn off the water supply valve and then disconnect the 3/8" female compression end of the supply line attached to the faucet.

2

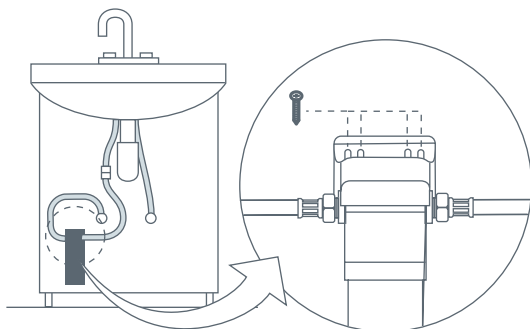


Connect the 3/8" female compression end of the inlet hose to the water supply valve .  
Inlet is on the left side of the mounting head

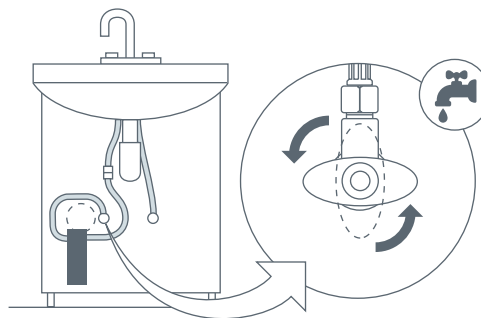


Connect the 3/8" male compression end of the outlet hose to the end of the supply line attached to the faucet.

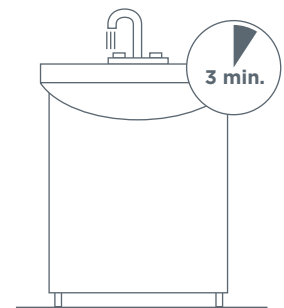
3



Secure head in a convenient location.



Turn on the cold-water supply.



Activate the filter by allowing the water to flow for 3 minutes.