



Installation Guide

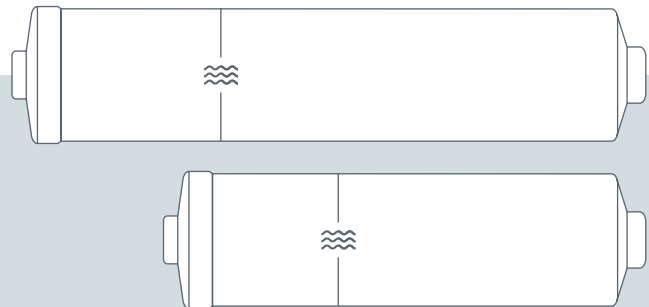
For Under Sink Inline Filters

CONNECTION TYPE: **DIRECT CONNECT**

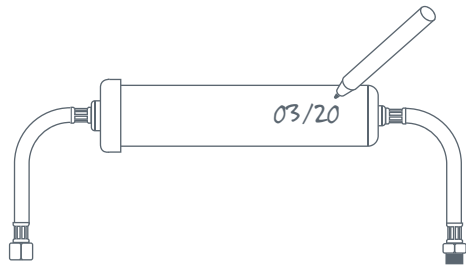
MODELS

WD-GEN4-210 / WD-GEN4-2512

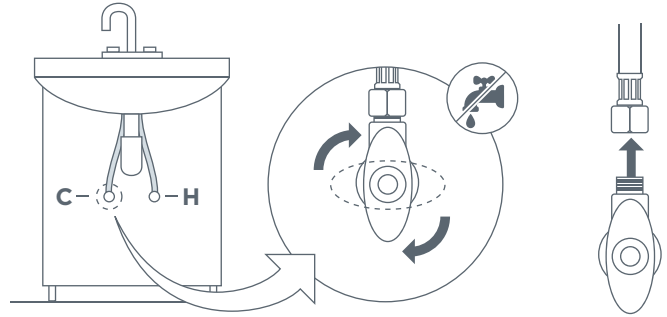
For installation questions or customer support,
please contact us at www.woder.com/support.



1

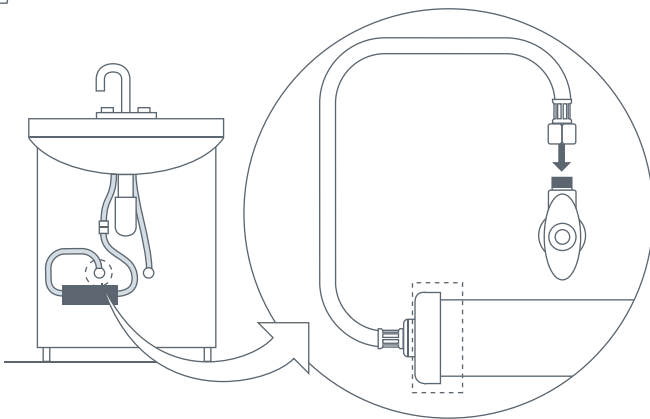


Write the installation date on the filter for future references.

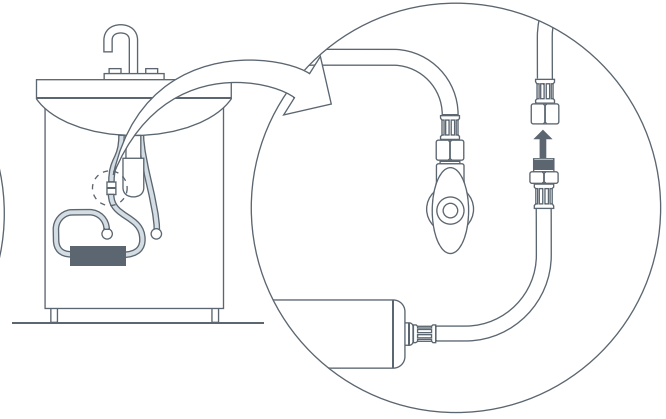


Turn off the water supply valve and then disconnect the 3/8" female compression end of the supply line at tached to the faucet.

2

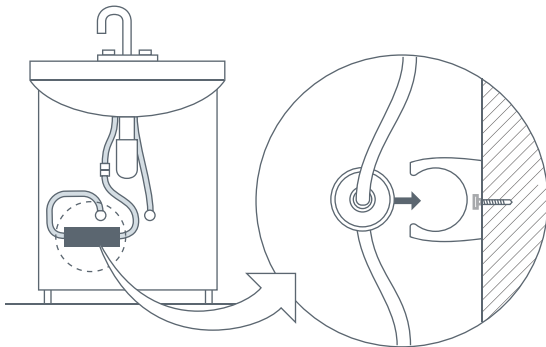


Connect the 3/8" female compression end of the inlet hose to the water supply valve. Inlet is on the cap side.

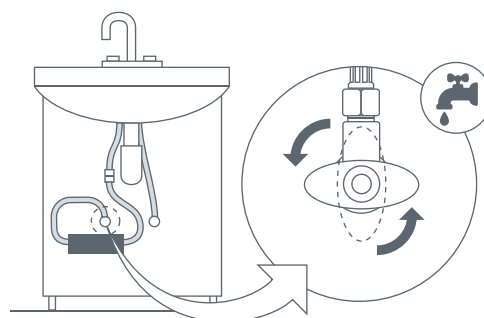


Connect the 3/8" male compression end of the outlet hose to the end of the supply line at tached to the faucet.

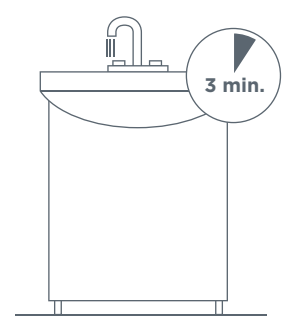
3



Secure Mounting bracket in a convenient location.



Turn on the cold-water supply.



Activate the filter by allowing the water to flow for 3 minutes.