

It's your Water[®]

USER GUIDE

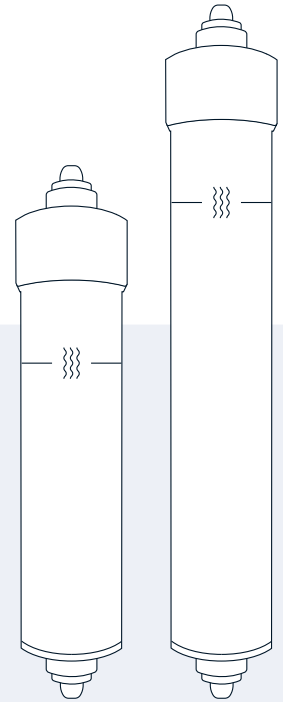
Woder OP (One-Piece)
'Traditional' Water Filtration Systems





INSTALLATION GUIDE

For Woder 'Traditional' One-Piece (OP) Water Filtration Systems



UNDERSINK DIRECT CONNECT (DC) MODELS:

WD-G4-2512-DC | WD-G4-210-DC

INLINE QUICK CONNECT (JG) MODELS:

WD-G4-2512-JG | WD-G4-210-JG

Minimum Working Pressure: 40 psi. Maximum Working Pressure - 70 psi Ingredients: Formula Clearbrook GEN4. Maximum Operating Temperature 100F. This water filter unit is to be used in conjunction with municipally treated water. Do not use water that is microbiologically unsafe or of an unknown quality without adequate disinfection before or after the system. The system and installation shall comply with applicable state and local regulations. While testing was performed under standard lab conditions, actual performance may vary. WD-GEN4-210 tested for 1000 gallons. WD-GEN4-2512 tested for 1600 gallons. The Chlorine influent concentration shall be specified as 2 mg/l the chlorine product water concentration shall be calculated based on the percent of reduction of chlorine, and the stated percent reduction of chlorine shall be equal to that achieved for chloramine. The reduction requirement is equal or greater than 50%. Manufactured By Clearbrook LLC., Mobile, AL, USA for Nehara LLC. (Woder Filters).

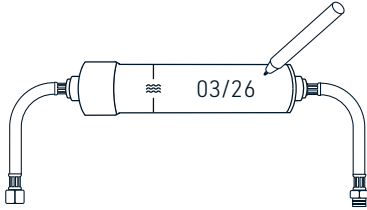
woder
the water company™

**FOR INSTALLATION QUESTIONS OR CUSTOMER SUPPORT,
PLEASE CONTACT US AT WWW.WODER.COM/SUPPORT**

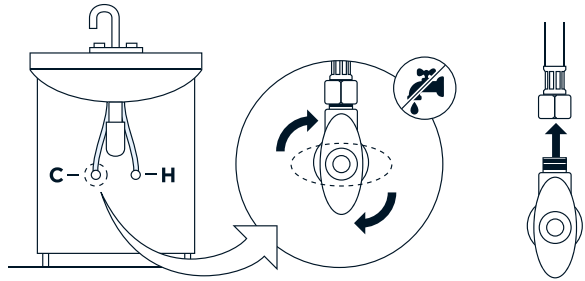
Installation Guide For Undersink Direct Connect (DC) models

WD-G4-2512-DC | WD-G4-210-DC

1

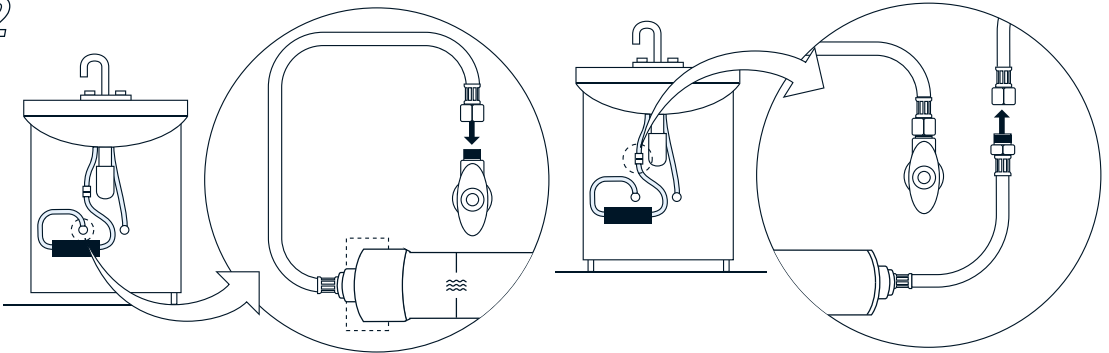


Write the installation date on the filter for future reference.



Turn off the water supply valve, then disconnect the 3/8" female compression end of the supply line attached to the faucet.

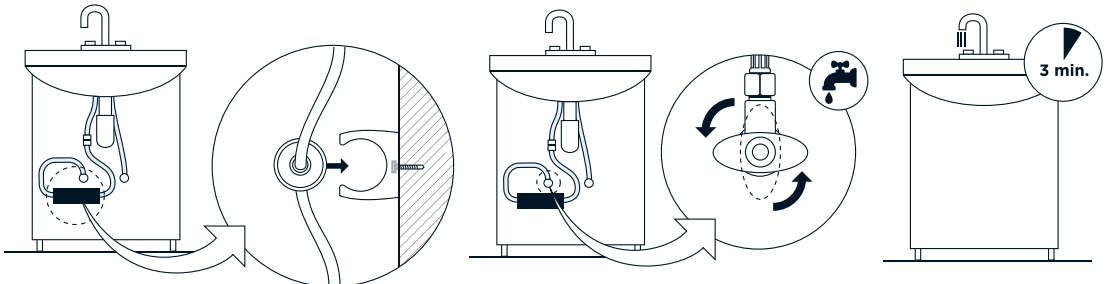
2



Connect the 3/8" female compression end of the inlet hose to the water supply valve. The inlet is located on the cap side.

Connect the 3/8" male compression end of the outlet hose to the supply line attached to the faucet.

3



Secure the mounting head in a convenient location.

Turn on the cold-water supply. Activate the filter by allowing water to flow for 3 minutes.