

It's your Water[®]

USER GUIDE

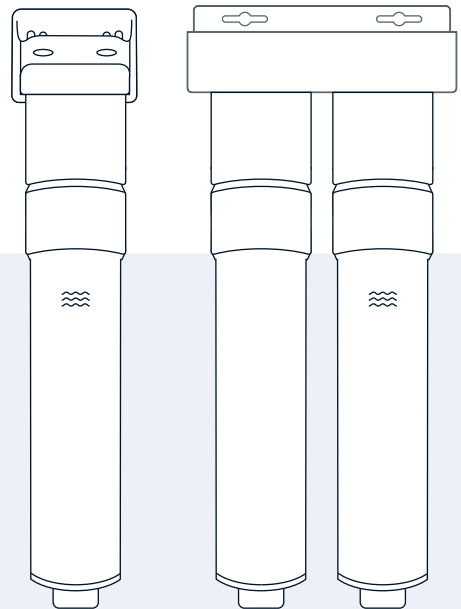
Woder TC (Twist-Connect)
Water Filtration Systems





INSTALLATION GUIDE

For SINGLE-STAGE & DUAL-STAGE Water Filtration Systems



UNDERSINK DIRECT CONNECT (DC) MODELS:

WD-G4-DC | WD-HMG4-DC | WD-20m-DC
WD-D-20m-G4-DC | WD-D-FRM-G4-DC

INLINE QUICK CONNECT (JG) MODELS:

WD-G4-JG | WD-HMG4-JG | WD-20m-JG
WD-D-20m-G4-JG | WD-D-FRM-G4-JG

Minimum Working Pressure: 40 psi. Maximum Working Pressure: 70 psi. Flow rate: 0.5 GPM @60psig. Maximum Operating Temperature: 100°F. Minimum Operating Temperature: 35°F. Capacity: WD-GEN4-2512TC tested for 1700 gallons. Warranty: 1-year replacement guarantee. Ingredients: Formula Clearbrook GEN4. Systems are tested and certified under industry standards. Water Source: This water filter unit is to be used in conjunction with municipally treated water. Safety Warning: Do not use water that is microbiologically unsafe or unknown quality without adequate disinfection before or after the system. Compliance: The system and installation shall comply with applicable state and local regulations. Chlorine Reduction: The Chlorine influent concentration shall be specified as 2 mg/l. The reduction requirement is equal or greater than 50%.

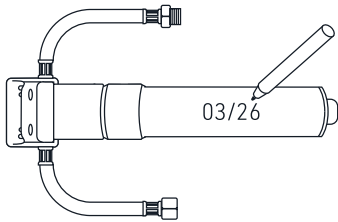
woder
the water company™

FOR INSTALLATION QUESTIONS OR CUSTOMER SUPPORT,
PLEASE CONTACT US AT WWW.WODER.COM/SUPPORT

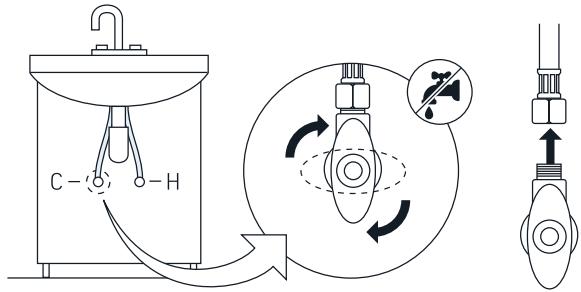
Installation Guide For Undersink Direct Connect (DC) models

WD-G4-DC | WD-HMG4-DC | WD-20m-DC | WD-D-20m-G4-DC | WD-D-FRM-G4-DC

1

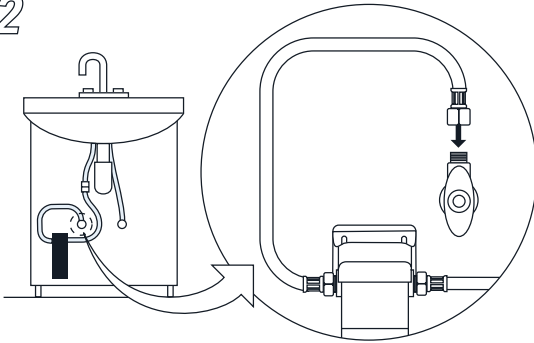


Write the installation date on the cartridge for future reference.

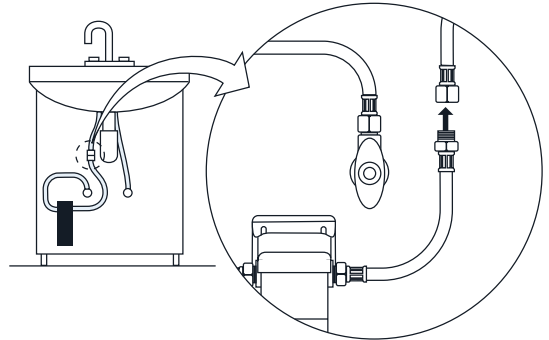


Turn off the water supply valve, then disconnect the 3/8" female compression end of the supply line attached to the faucet.

2

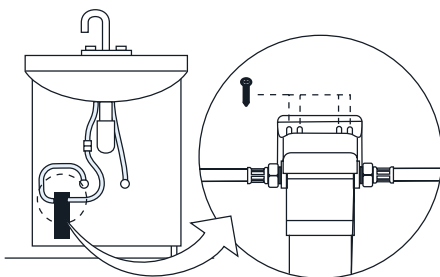


Connect the 3/8" female compression end of the inlet hose to the water supply valve. The inlet is located on the left side of the mounting head.

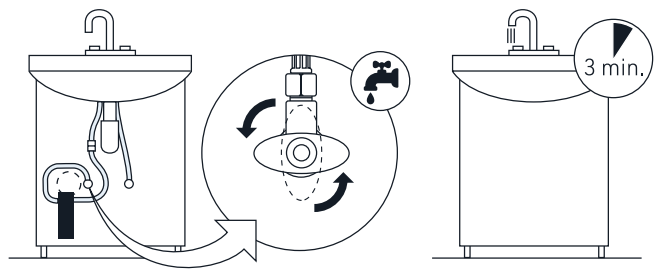


Connect the 3/8" male compression end of the outlet hose to the supply line attached to the faucet.

3



Secure the mounting head in a convenient location.



Turn on the cold-water supply. Activate the filter by allowing water to flow for 3 minutes.